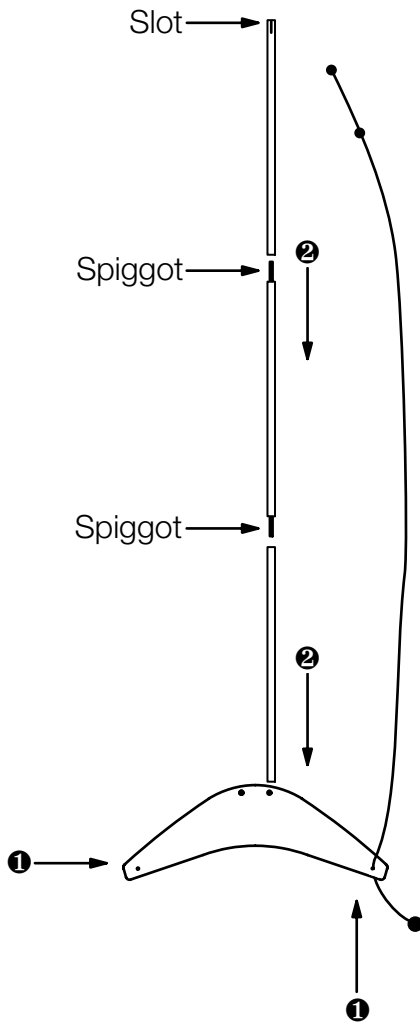


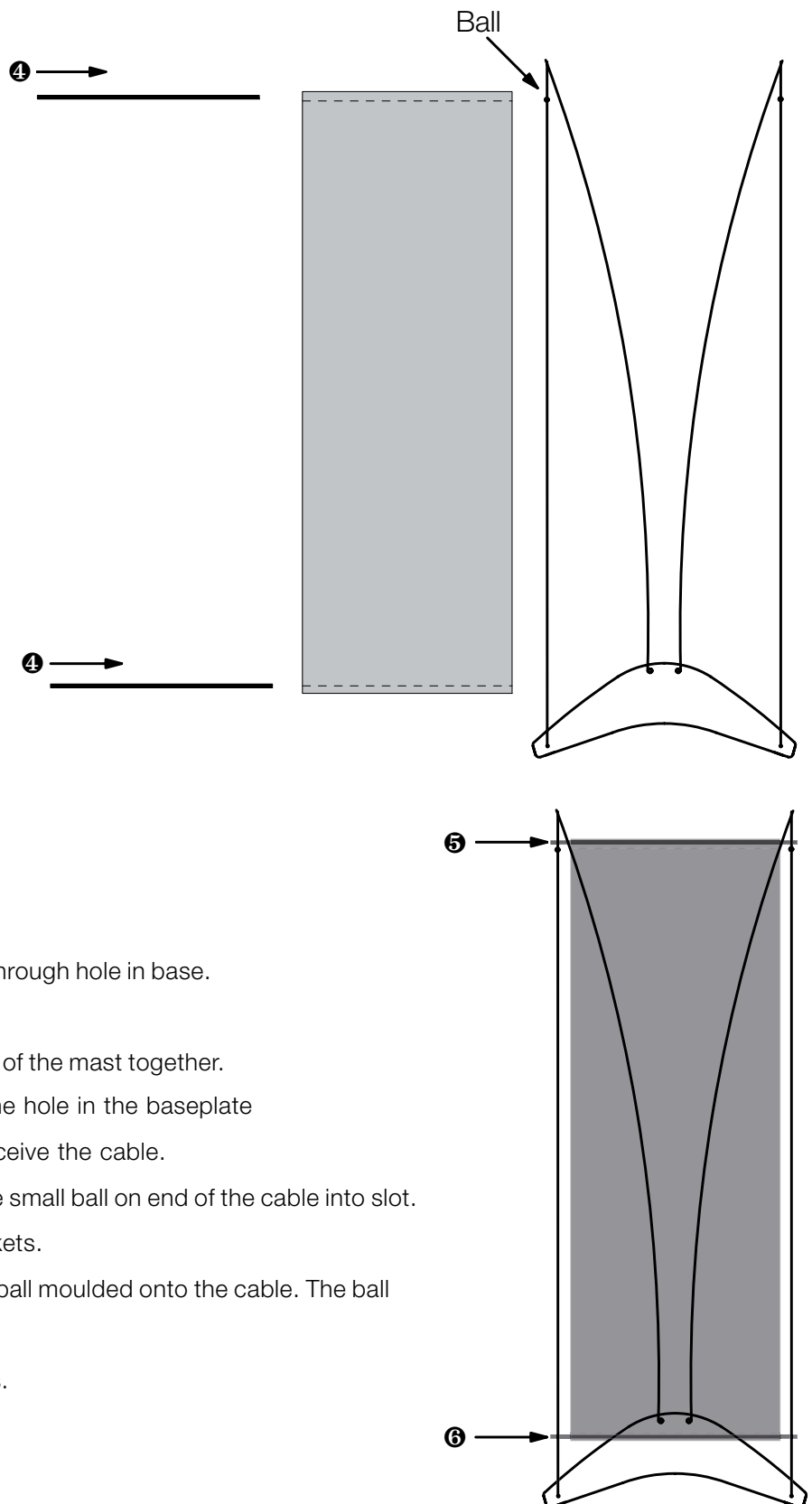
Assembly

Around three minutes

Assemble frame



Attach banner graphic

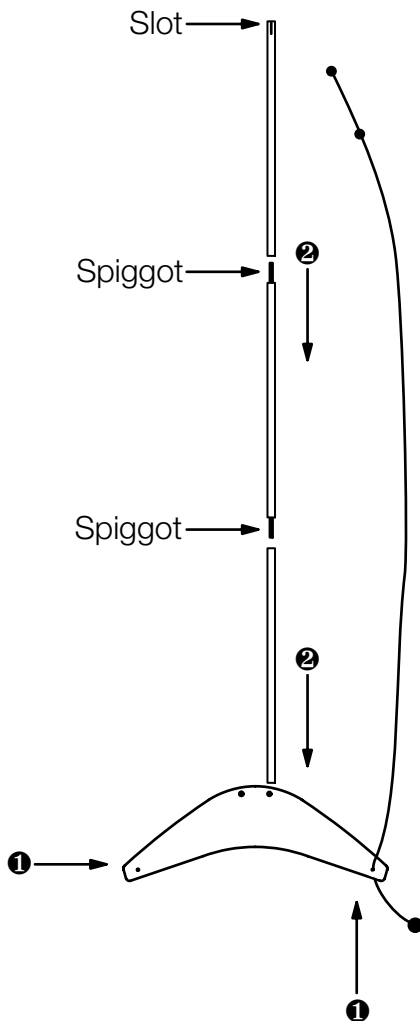


1. Pass end of cable with small ball up through hole in base.
2. Assemble mast
The elastic will pull the three sections of the mast together.
Insert the bottom of the mast into the hole in the baseplate
The top of the mast has a slot to receive the cable.
3. Gently pull the mast forward and slide small ball on end of the cable into slot.
4. Insert cross rails into the banner pockets.
5. Attach cross rail to cables above the ball moulded onto the cable. The ball ensures the banner is level.
6. Attach bottom cross rail to the cables.

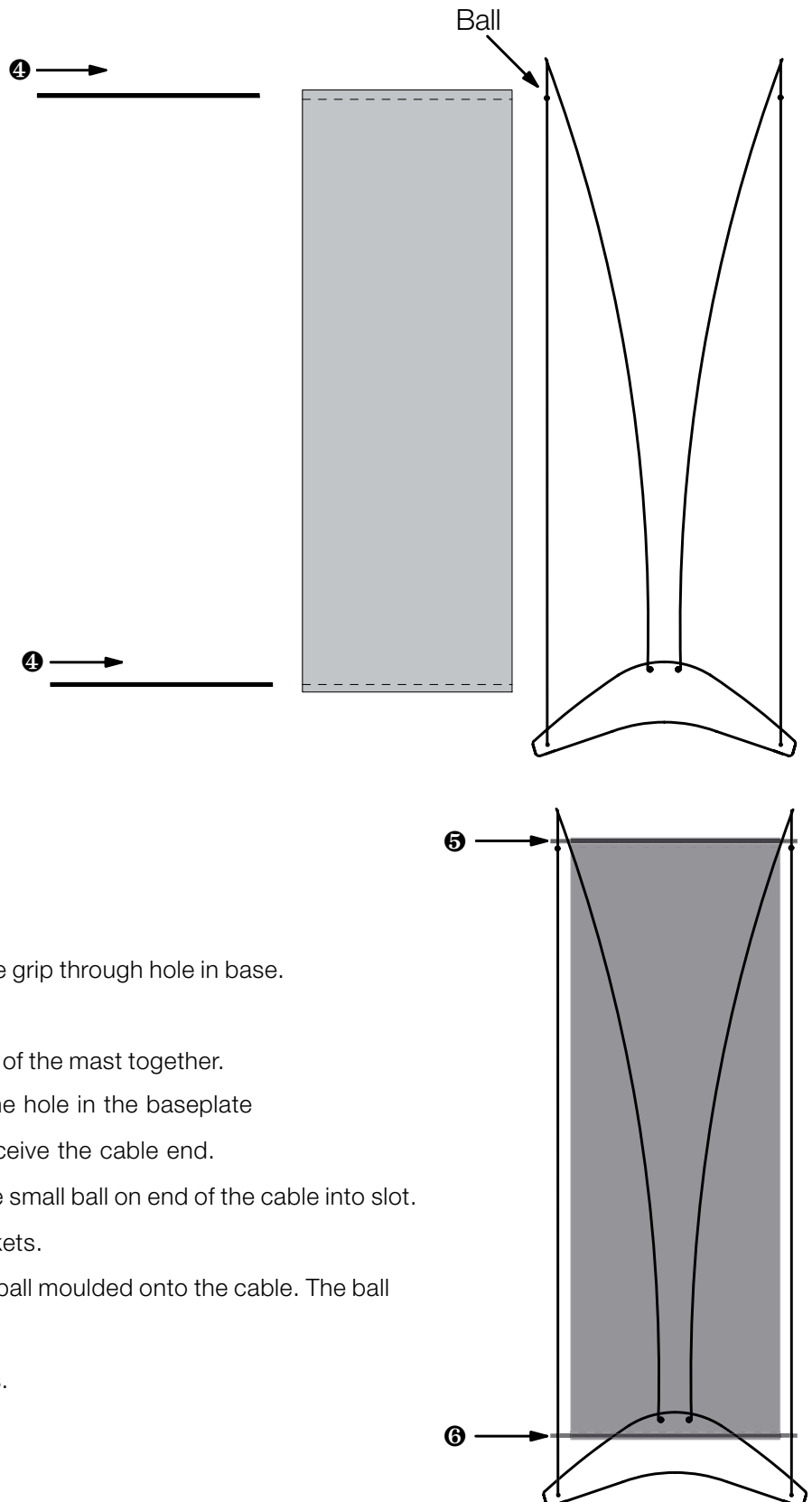
Assembly

Around three minutes

Assemble frame



Attach banner graphic



1. Push end of cable with flat edge cable grip through hole in base.
2. Assemble mast
The elastic will pull the three sections of the mast together.
Insert the bottom of the mast into the hole in the baseplate
The top of the mast has a slot to receive the cable end.
3. Gently pull the mast forward and slide small ball on end of the cable into slot.
4. Insert cross rails into the banner pockets.
5. Attach cross rail to cables above the ball moulded onto the cable. The ball ensures the banner is level.
6. Attach bottom cross rail to the cables.

Assembly

Around three minutes

Standard D4 Display kit

Travel bag, base plate, mast rods, cross ties, cables, storage box and a banner graphic tube.



1

Insert the connected masts into the holes at the rear of the base plate.



2

Pass silver cable stop through round hole at front of baseplate.



3

Gently pull the top of the mast forward and slide the silver cable attachment on to the top of the mast to form a bow shape.



4

Slide the top cross tie into the banner sleeve and attach to the vertical cables using the thumb screws. You may have to tip the display forward to do this. Attach cross tie to cable above the small ball. The ball ensures the banner is level.



5

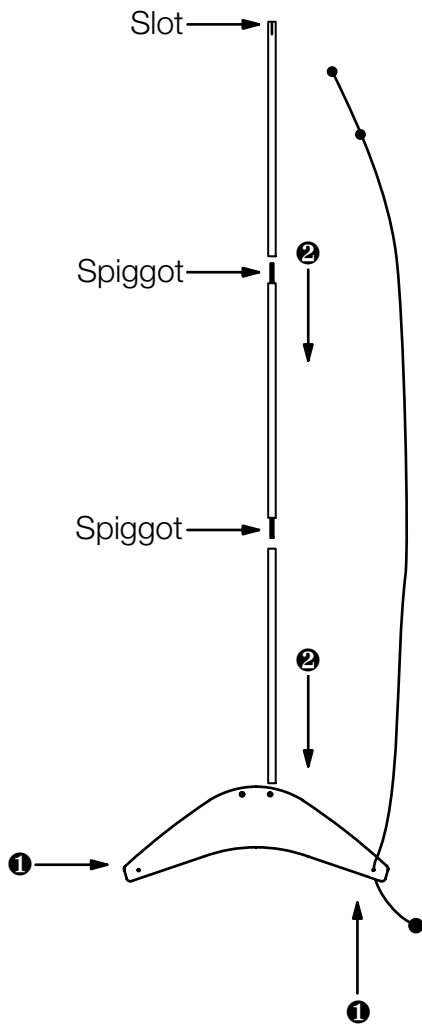
Stand display upright and attach the bottom cross tie, pulling it down to tension banner. Finally, tighten thumb screws.



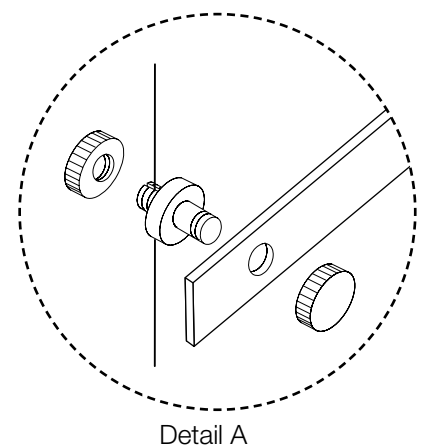
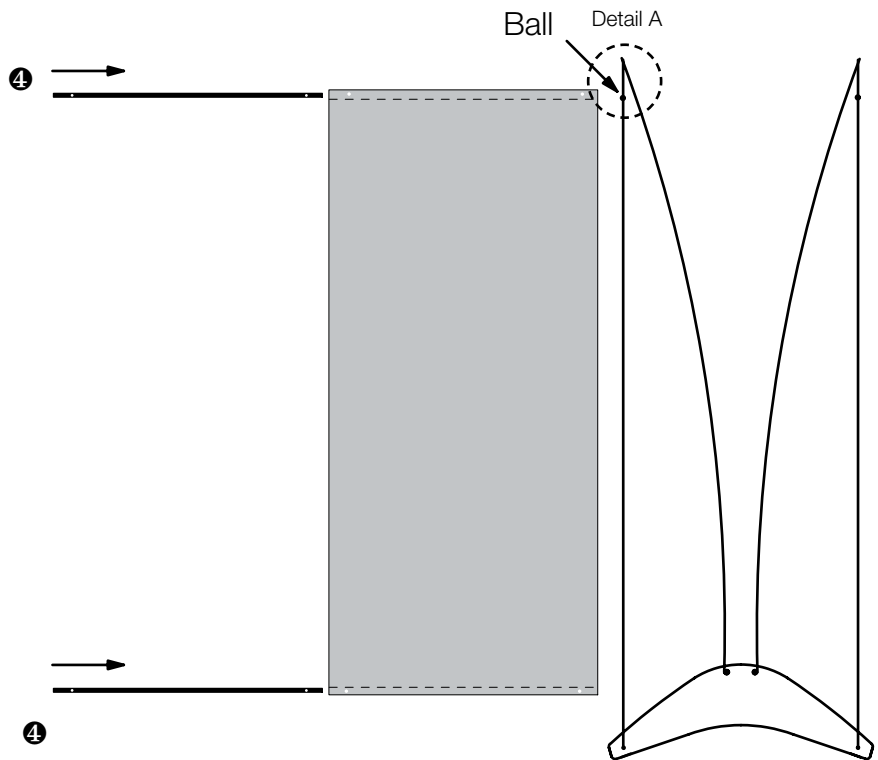
Assembly

Around three minutes

Assemble frame



Attach banner graphic



1. Pass end of cable with small ball up through hole in base.
2. Assemble mast
The elastic will pull the three sections of the mast together.
Insert the bottom of the mast into the hole in the baseplate
The top of the mast has a slot to receive the cable.
3. Gently pull the mast forward and slide ball into slot.
4. Insert flat battens into the banner pockets so the holes in each line up.
5. Attach two cable fixings above the balls on each cable. The ball ensures the banner is level.
6. Remove the front thumb screws from the cable fixings and attach the banner by placing it on to the spigots and screwing the thumb screws back on.
7. Repeat for the bottom batten.

Assembly

Around ten minutes

Linked Graphic

Assemble two standard D4 units as normal.

Use a linking cross tie to position the D4 units the correct distance apart.

Then insert a cross tie into the top pocket of the linking banner.

Attach the linking banner above the side banners and gently unroll downwards. Depending on the size of display purchased you may have to stand on something to do this.

Insert the remaining cross tie into the bottom pocket of the linking banner and attach to cables below the side banners.

If you have web access look at the Flash animation on the D4 Display website. www.d4display.com > assembly

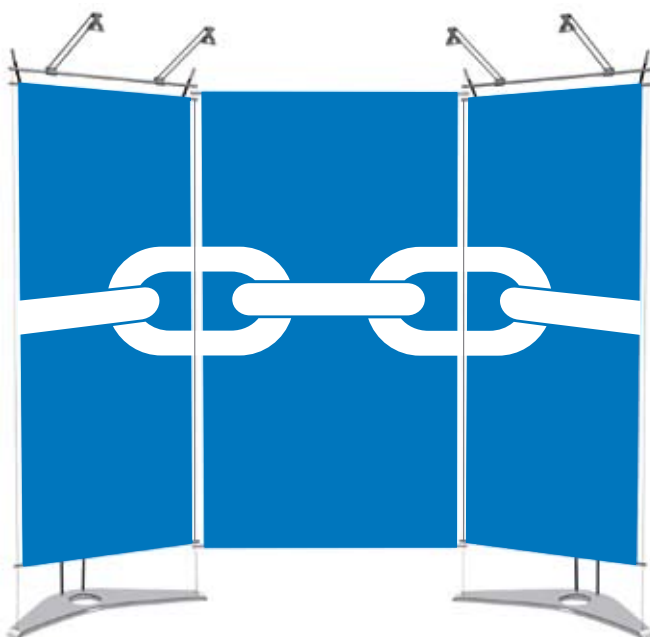
Lighting

Attach the cross tie which carries the light units above the linking cross tie.

Clip the cables to the masts.

Attach the bulb to the forks and then insert the forks into the aluminium block on the cross tie.

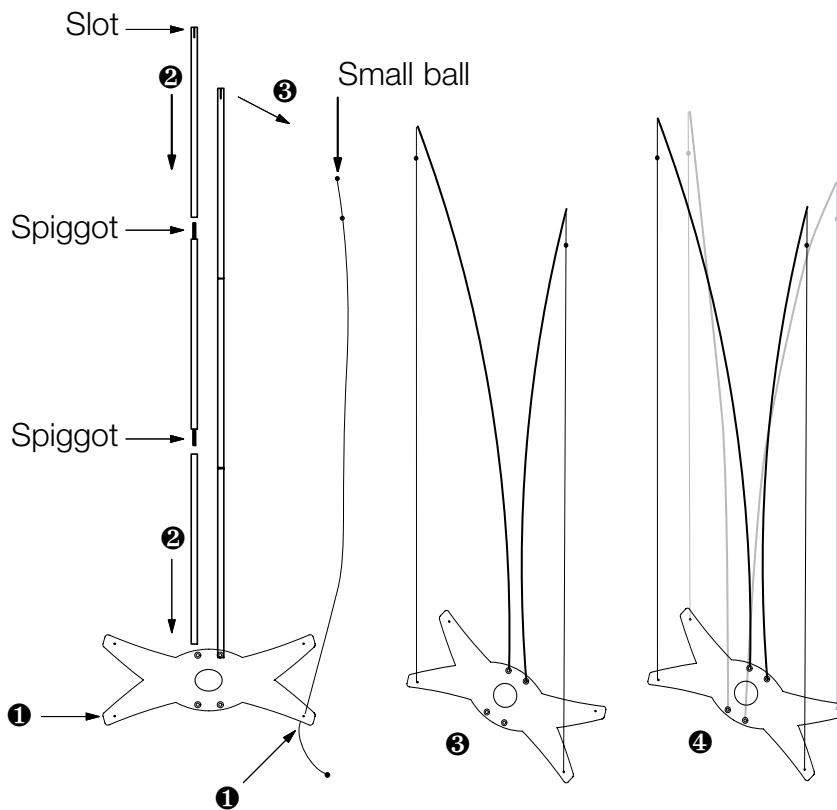
Plug in the lights and adjust the position to suit your graphics. Be careful with the bulb, as it gets hot.



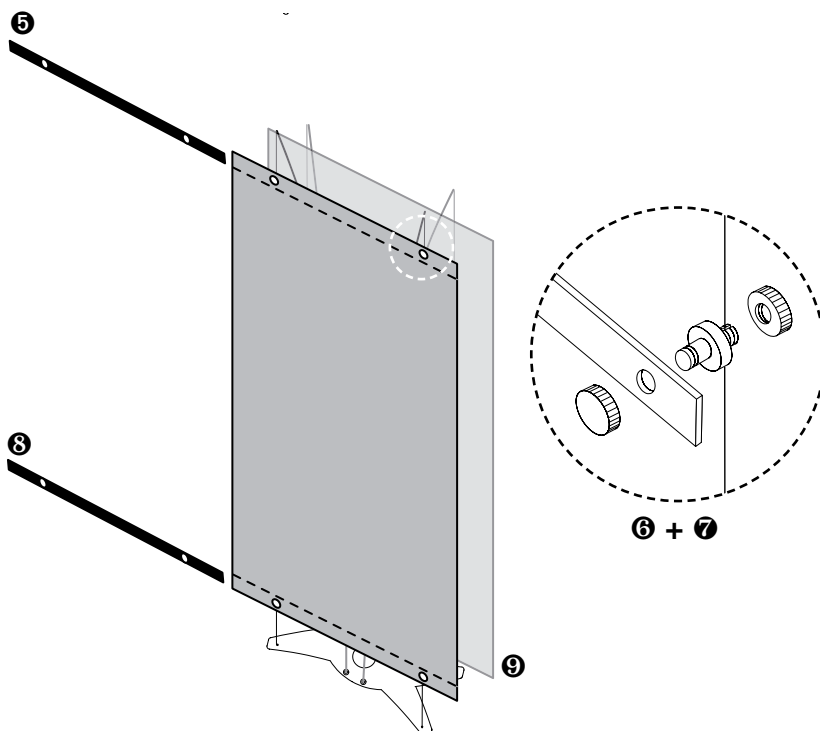
Assembly

Around five minutes

Assemble frame



Attach banner graphic



1. Pass end of cable with small ball up through hole in base.
2. Assemble mast
The elastic will pull the three sections of the mast together. Insert the bottom of the mast into the hole in the baseplate. The top of the mast has a slot to receive the cable.
3. Gently pull the top of the mast forward and slide ball into slot. Repeat with second mast
4. Repeat operation to assemble second side. Please note that the masts cross over one another .
5. Insert flat battens into the banner pockets so the holes in each line up.
6. Attach two cable fixings above the balls on each cable. The ball ensures the banner is level.
7. Remove the front thumb screws from the cable fixings and attach the banner by placing it on to the spigots and screwing the thumb screws back on.
8. Repeat steps six and seven to attach the bottom batten.
9. Repeat steps six to eight for the reverse side to complete display.